



Steam / Air / Gas - ASME Valves

Series 88 & 89

Series 88 and 89 are Multiple Purpose Safety Valves for steam, air or gas protection. Designed for durability, yet an economical choice for safety and relief applications. All valves are UV stamped; PSI is factory set and must be specified upon order.

Usages

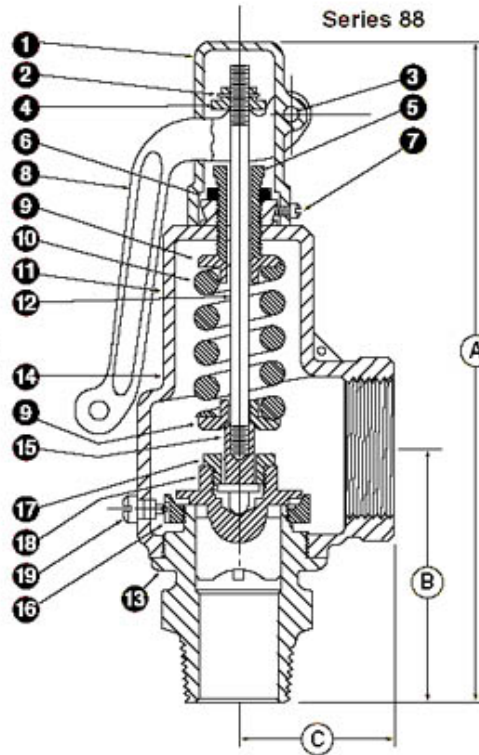
- » Over-pressure protection
- » Pressure vessels
- » Piping systems
- » Safety relief
- » Compressors and dryers
- » Vacuum relief
- » Pressure reducing stations
- » Intercoolers and aftercoolers
- » Pressured piping lines and tanks

Features

- » Adjustable tuned blow-down
- » Precision lapped metal-to-metal seating.
- » Stainless steel springs
- » Ruggedly constructed
- » Closed seal hex cap or lever* option
- » Wide variety of inlet and outlet options
- » Disk-guided seat provides quick, accurate and excellent re-seating

Options

- » Stainless steel whetted trimming (seat and disk)
- » Chrome plating
- » Oxygen cleaning
- » Female inlet
- » BSPT connections

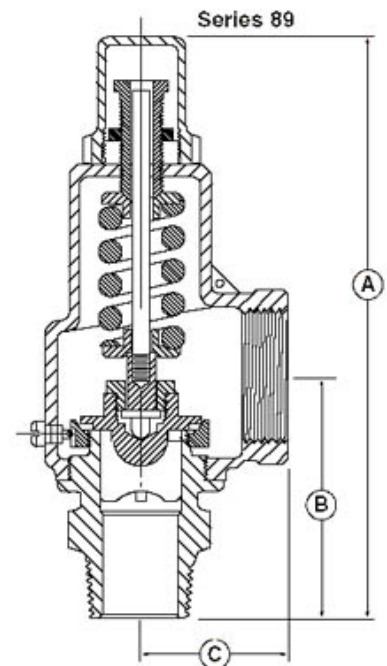


PARTS IDENTIFICATION & MATERIALS		
ITEM	PART NAME	MATERIAL
1	HOOD	BRONZE
2	COTTER PIN	STEEL*
3	LIFT LEVER PIN	BRASS
4	LIFTER NUT	BRASS/STEEL*
5	PRESSURE SCREW	BRASS
6	LOCK NUT	BRASS
7	HOOD SCREW	BRASS
8	LIFT LEVER	BRONZE
9	SPRING PLATE	BRASS/STEEL*
10	SPRING	STAINLESS STEEL
11	NAME PLATE	BRASS/BRONZE
12	SPRING POST	BRASS/STEEL
13	BODY	BRASS
14	BONNET	BRASS/BRONZE
15	SPRING PLATE SUPPORT	BRASS
16	REGULATOR RING	BRASS
17	SPRING PLATE	BRASS
18	DISK	BRASS/BRONZE
19	REGULAR SCREW	BRASS

*STEEL PLATED

SERIES	VALVE			DIMENSIONS				MAX. SET PRESSURE AIR/GAS/STEAM	WEIGHT SERIES 88	WEIGHT SERIES 89
	OUTLET SIZE	SEAT SIZE	SEAT SIZE	SERIES 88 A	SERIES 89 A	B	C			
88-A1	1/2"	1/2"	A-1/2"	6 1/2	5 7/8	2 1/8	1 3/8	300	2	1.5
88-A2	1/2"	3/4"	A-1/2"	6 1/2	5 7/8	2 1/8	1 3/8	300	2	1.5
88-B1	3/4"	3/4"	B-3/4"	6 7/8	6	2 3/8	1 3/8	300	2.5	2
88-B2	3/4"	1"	B-3/4"	6 7/8	5	2 3/8	1 3/8	300	2.5	2
88-C1	1"	1"	C-1"	7 1/2	7 1/2	2 3/4	1 7/8	300	3.375	3
88-C2	1"	1 1/4"	C-1"	7 1/2	7 1/2	2 3/4	1 7/8	300	3.375	3
88-D1	1 1/4"	1-1/4"	D-1 1/4"	8 1/2	8 1/2	3 1/4	2	300	4.625	4.5
88-D2	1 1/4"	1 1/2"	D-1 1/4"	8 1/2	8 1/2	3 1/4	2	300	4.625	4.5
88-E1	1 1/2"	1-1/2"	E-1 1/2"	9 3/4	9 3/4	3 1/2	2 1/2	300	7	6.5
88-E2	1 1/2"	2"	E-1 1/2"	9 3/4	9 3/4	3 1/2	2 1/2	300	7	6.5
88-F1	2"	2"	F-2"	11 1/8	11 1/8	4	2.625	300	10.125	9.25
88-F2	2"	2 1/2"	F-2"	11 1/8	11 1/8	4	2.625	300	10.125	9.25
88-G1	2 1/2"	2 1/2"	G-2 1/2"	13 1/4	12	4 3/4	3 1/8	300	22.25	21
88-G2	*2 1/2"	3"	G-2 1/2"	13 1/4	12	4 3/4	3 1/8	300	22.25	21
88-H1	*3"	3"	H-3"	15	13 1/2	5 1/8	4 3/8	300	23	22

STANDARD VALVE FOR AIR, GAS AND STEAM IS "NEXT SIZED OUTLET" (UNLESS OTHERWISE SPECIFIED) BAR = PSI x .06895 Centimeters = Inches x 2.540
 KG = LBS x .4536 *2 1/2" & 3" ORIFICE AND PRESSURES OVER 250 PSI-NOT ASME/NB. PLEASE SPECIFY SERIES, SIZE, SERVICE AND SET PRESSURE.



* LIFT LEVER IS REQUIRED BY THE NATIONAL BOARD FOR STEAM SERVICES.
 * 2-1/2" and 3" are not NB Certified.