

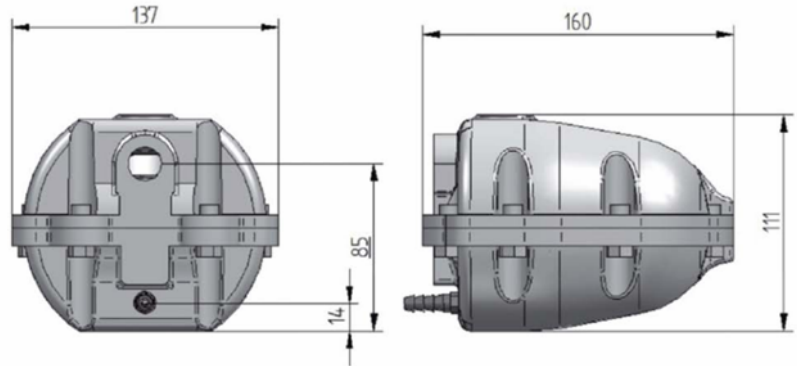


Mag 11 –230 psi

Magnetically operated zero air loss drain for air filter application



PRODUCT DIMENSIONS 25.4MM=1"



The Mag-11 is designed to remove condensate from compressed air filters up to any size, type, or manufacturer. The Mag-11 uses internal magnetic forces as its power source to operate. It is therefore ideally suited to apply on applications where power is not available, not desired or not reliable. The operating is automatic and there is zero air loss during the condensate discharge cycle.

Key Features:

- Electricity not required
- Zero air loss during the condensate discharge
 - Maximum pressure 230 psi
- Direct operated valve - not diaphragm type
 - Large (2.0 mm) valve orifice
 - The direct acting valve is serviceable
- Suitable for all types and sizes of compressed air filters

Specifications

Max. filter capacity	Unlimited
Inlet connection and height	1/2"
Outlet connection	1/8"
Minimum system pressure	0 psi
Maximum system pressure	230 psi
Valve seals	Viton (FPM)
Housing material	Corrosion resistant aluminium